

# HI-GRIP® WING SCREW



## HI-GRIP WING SCREW

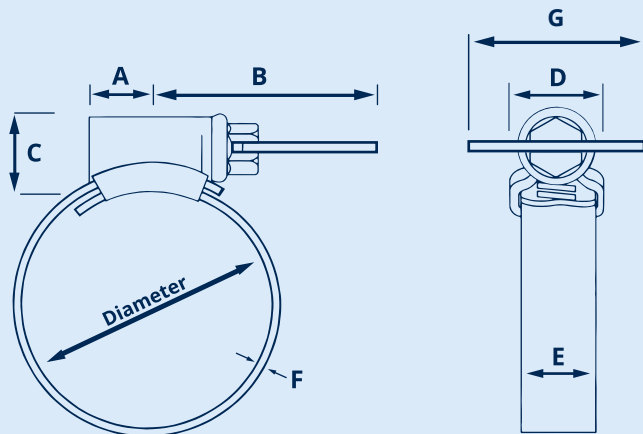
Specifically designed for frequently removed hoses, the unique dovetail locking and side lugs of the wing plate ensure excellent sealing and longevity. The soft plastic wing plate cover is kinder to unprotected fingers.

Available in both zinc plated and 304 stainless steel.

## WING SCREW RANGE

Size	No.	Dia mm	Dia ins
12	000	9.5-12	3/8 - 1/2
16	M00	11-16	1/2 - 5/8
20	00	13-20	1/2 - 3/4
22	0	14-22	5/8 - 7/8
25	0X	17-25	3/4 - 1
30	1A	22-30	7/8 - 1 1/8
35	1	25-35	1 - 1 3/8
40	1X	30-40	1 1/8 - 1 5/8
45	-	35-45	1 3/8 - 1 3/4
50	2A	35-50	1 3/8 - 2
55	2	40-55	1 5/8 - 2 1/8
60	2X	45-60	1 3/4 - 2 3/8
70	3	50-70	2 - 2 3/4
80	3X	60-80	2 3/8 - 3 1/8
90	4	70-90	2 3/4 - 3 1/2

## TECHNICAL & MATERIAL SPECIFICATION



Dimensions in mm

### HI-GRIP WING SCREW

All parts - mild steel, bright zinc plated and passivated.

### HI-GRIP WING SCREW STAINLESS 304

All parts BS304 - EN 1.4301/1.4576

Size	A	B	C	D	E	F	G	Recommended Torque Setting	
								NM	lb-in
12	7	31	10	12	9	0.7	24	3.0	26
22-45	8	32	12	15	13	0.9	24	5.0	45
50+	13	37	12	16	13	0.9	24	6.0	54