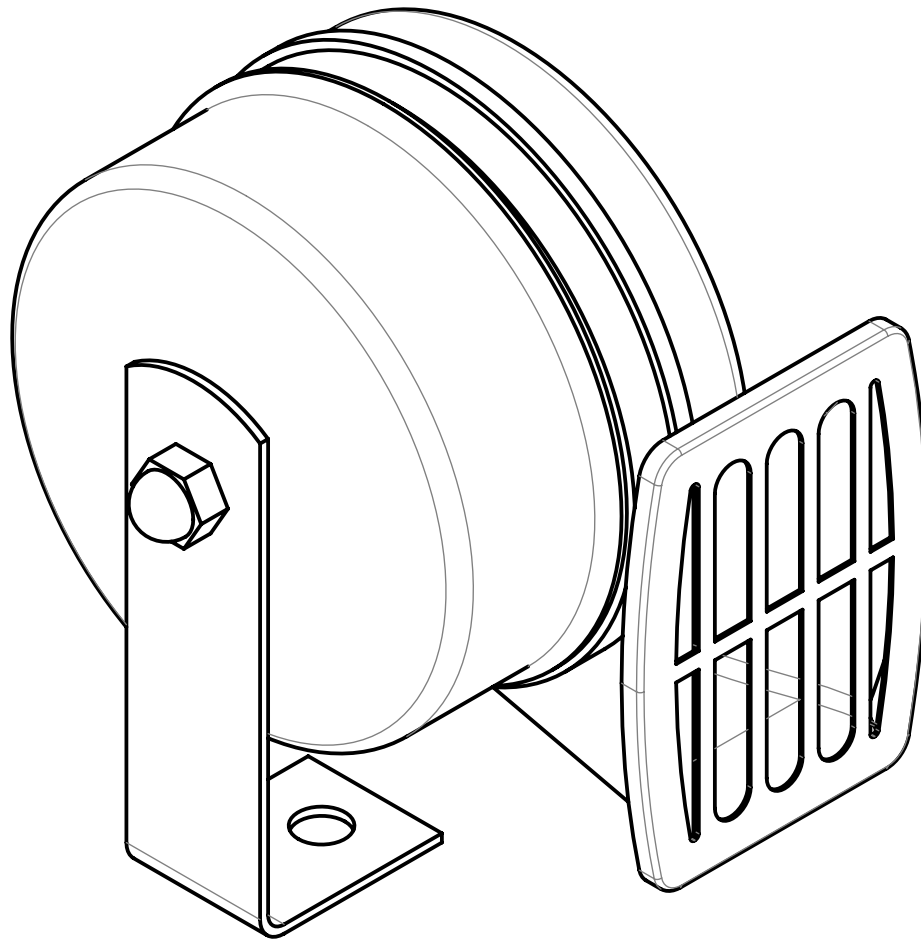


Horn 12V/24V, single and double, low/high

MAIN PRODUCT MATERIALS:

- STAINLESS STEEL (AISI 304) COVER, GRILL, NUT AND BRACKET;
- CHROMIUM PLATED SYNTHETIC (ABS) HORN BODY.



Model:	# of horns	Consumption (A)	Pitch	Freq. (Hz)	Volume dB @2mtr (@1mtr)	Weight (kg)
TNA12L	Single	4	Low	420	115 (119)	0,5
TNA24L		2				
TNA12H		4	High	480	115 (119)	
TNA24H		2				
TNA12D	Double	4 (2x)	Both	480 - 420	115 (119)	1
TNA24D		2 (2x)				



Overall Dimensions

15-2614

TNA...

Horn 12V/24V, single and double, low/high

