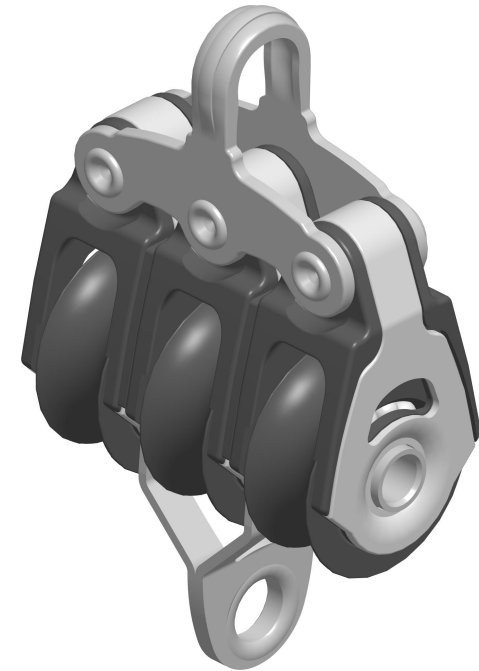
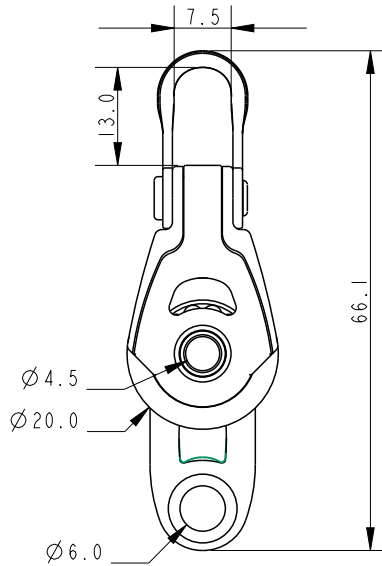


SCALE 1:1



SCALE 3:2

**DIMENSIONS FOR REFERENCE ONLY**  
 allenbrothers.co.uk  
 +44(0)1621 772477

**Specification**

Length mm	Line Diameter mm	Shackle Pin mm	Breaking Load kg	MWL kg	Weight g	Bearing Detail
66.1	6	-	650	320	52.9	Stainless Steel

Title	Description
<b>A2025-REF</b>	<b>Triple With Becket</b>